

BMT Axial Drilling-Milling Head DW700-DA85-ER50

CNC Milling Tool Holder

Tool Holder Static

Tool Holder Driven (Live Tooling)

- ACCUWAY Drilling-Milling Heads
- BMT Axial Drilling-Milling Head
- BMT Axial Face Milling Head
- BMT Radial Drilling-Milling Head
- BMT Radial Face Milling Head
- BMT Radial Side Cutter Head
- BMT Tapping Head
- BMT U Drilling Head
- BMT Universal Head
- FEMCO Drilling-Milling Heads
- HAAS Drilling-Milling Heads
- IKEGAI Drilling-Milling Head
- Live Head without Hydraulic Motor
- MAZAK Face Milling Heads
- MAZAK H Type Milling-Drilling Head
- MAZAK H Type Tapping Head
- MAZAK V Type Milling-Drilling Head
- MAZAK V Type Tapping Head
- MIYANO Drilling-Milling Heads
- MORI SEIKI Drilling-Milling Heads
- MORI SEIKI Face Milling Heads
- MORI SEIKI Universal Heads
- MURATEC Drilling-Milling Heads
- NAKAMURA Cutter Head
- NAKAMURA Drilling-Milling Head
- NAKAMURA Face Milling Head
- OKUMA Drilling-Milling Heads
- OKUMA Universal Heads
- TAKAHASHI Radial Drilling-Milling Head
- TAKAMAZ Drilling-Milling Heads
- TAKISAWA Drilling-Milling Heads
- TSUGAMI Drilling-Milling Head
- VDI Axial Drilling-Milling Head
- VDI Axial Drilling-Milling Head Quick Change
- VDI Axial Face Milling Head
- VDI Axial Tapping Head
- VDI Hobbing Head
- VDI Radial Drilling-Milling Head
- VDI Radial Drilling-Milling Head Quick Change
- VDI Radial Face Milling Head
- VDI Radial Tapping Head
- VDI Universal Head
- WASINO Axial Drilling-Milling Heads
- WASINO Axial Face Milling Heads
- WASINO Radial Drilling-Milling Heads
- WASINO Side Cutting Heads

Collet

Live Center for Lathe

CNC Machines Accessories

Angular Head for CNC Machining Centers

Strong Chuck for Lathe

Vises

Coupling Types

Brands

ALL PRODUCTS

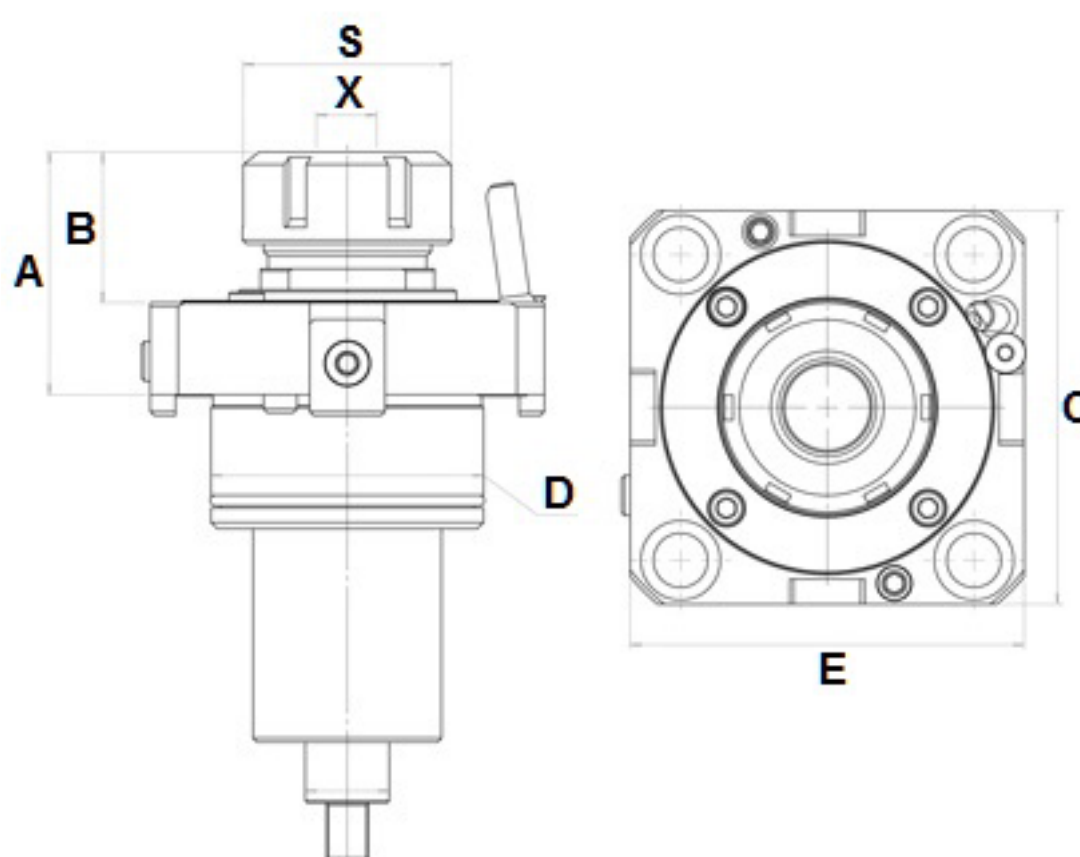


Figure L30000310: BMT Axial Drilling-Milling Head DW700-DA85-ER50

BMT Axial Drilling-Milling Head DW700-DA85-ER50 Specification

Tool holder description	Related Products	Compatible Machines	Documents
--------------------------------	------------------	---------------------	-----------

Table L30000310: BMT Axial Drilling-Milling Head DW700-DA85-ER50

Tool Holder Turret Interface:

Turret: RADIAL
Tooling Interface: BMT-85
Power Coupling: DIN1809
Y Axis: N/S

Part No.	D	X Capacity	S	Maximum R.P.M.	A	B	C	E
DW220-DA45-ER20	45	1~13 ER20	35	6000	60	32.5	75	75
DW220-DA45-ER25		1~16 ER25	35	6000	67.4	39.9	75	75
DW230-DA55-ER25 (OEM Eppinger 7.073.118)	55	1~16 ER25	42	6000	62	33	85	85
DW230-DA55-ER25- CTS *		1~16 ER25	42	6000	67	33	85	85
DW230-DA55-ER32	65	2~20 ER32	50	6000	81	51	85	85
DW300-DA65-ER25		1~16 ER25	42	6000	66.5	35.5	94	94
DW300-DA65-ER32- S **	75	2~20 ER32	50	6000	58	36	94	94
DW300-DA65-ER32 (OEM EWS 40.65321809DW02)		2~20 ER32	50	6000	69.5	38.5	94	94
DW300-DA65-ER32-CTS	85	2~20 ER32	50	6000	74	38.5	94	94
DW300-DA65-ER32-89 L ***		2~20 ER32	50	6000	89	58	94	94
DW300-DA65-ER32-100L	75	2~20 ER32	50	6000	101	70	94	94
DW300-DA65-ER40		3~26 ER40	63	6000	80.5	49.5	94	94
DW300-DA65-ER40-CTS	85	3~26 ER40	63	6000	94	49	94	94
DW350-DA75-ER40		3~26 ER40	63	6000	78	43	115	115
DW350-DA75-ER40-CTS	85	3~26 ER40	63	6000	84	44	110	115
DW700-DA85-ER40		3~26 ER40	63	6000	91	51	125	125
DW700-DA85-ER50	85	10~34 ER50	78	6000	94	54	125	125
DW700-DA85-ER50-CTS		10~34 ER50	78	6000	104	56	125	125

* **CTS** - Coolant-Through Spindle

** **S** - Short

*** **L** - Long

For the detailed list of compatible machine models - please click the **Compatible Machines** tab

- To be used for collet DIN 6499
- External and Internal Coolant supply
- Collet is not included

L30000310

Alternative Name:



The information provided for reference purposes only. Although all possible efforts were made to make this information accurate, we can not guarantee that particular part will fit your application. Specifications can be changed without prior notice. All prices are for reference only and can be changed without prior notice. Not all models are available in all countries due to possible patents and other restrictions.

Customer Service

Downloads & Catalogues
Privacy Policy
Warranty
Return/Refund Policy
Terms & Conditions
Disclaimer
FAQs
Payment
Shipping & Delivery Standards

Contact Info

Contact Us
Catalog Request
Request Tool Holder Info
Email to a friend

About IMTE

Home
About IMTE
Careers
New Tool Holders
Stock

Marketing Information

Trade Shows
News
Tool Encyclopedia
Tool Holder Galleries
Downloads & Catalogues
YouTube channel

© 1999-2019. IMTE Inc.
Powered by Tool Holder Shop Inc.
Last build: 2019-02-19-1723-EN

