



Find a Tool Holder
by Name



Find a Tool Holder
by the Machine Brand



Find a Tool Holder
by the coupling type

Type here lathe model, tool holder name, etc.



MY CART
Item: (0)

Home >> Tool Holder Driven (Live Tooling) >> **BMT Radial Drilling-Milling Head**

Email a Friend

BMT Radial Drilling-Milling Head DW700-DF85-ER50-110

CNC Milling Tool Holder

Tool Holder Static

Tool Holder Driven (Live Tooling)

- ACCUWAY Drilling-Milling Heads
- [BMT Axial Drilling-Milling Head](#)
- [BMT Axial Face Milling Head](#)
- [BMT Radial Drilling-Milling Head](#)
- BMT Radial Face Milling Head
- BMT Radial Side Cutter Head
- BMT Tapping Head
- BMT U Drilling Head
- BMT Universal Head
- FEMCO Drilling-Milling Heads
- HAAS Drilling-Milling Heads
- IKEGAI Drilling-Milling head
- Live Head without Hydraulic Motor
- MAZAK Face Milling Heads
- MAZAK H Type Milling-Drilling Head
- MAZAK H Type Tapping Head
- MAZAK V Type Milling-Drilling Head
- MAZAK V Type Tapping Head
- MIYANO Drilling-Milling Heads
- MORI SEIKI Drilling-Milling Heads
- MORI SEIKI Face Milling Heads
- MORI SEIKI Universal Heads
- MURATEC Drilling-Milling Heads
- NAKAMURA Cutter Head
- NAKAMURA Drilling-Milling Head
- NAKAMURA Face Milling Head
- OKUMA Drilling-Milling Heads
- OKUMA Universal Heads
- TAKAHASHI Radial Drilling-Milling Head
- [TAKAMAZ Drilling-Milling Heads](#)
- TAKISAWA Drilling-Milling Heads
- TSUGAMI Drilling-Milling Head
- VDI Axial Drilling-Milling Head
- VDI Axial Drilling-Milling Head Quick Change
- VDI Axial Face Milling Head
- VDI Axial Tapping Head
- VDI Hobbing Head
- VDI Radial Drilling-Milling Head
- VDI Radial Drilling-Milling Head Quick Change
- VDI Radial Face Milling Head
- VDI Radial Tapping Head
- VDI Universal Head
- WASINO Axial Drilling-Milling Heads
- WASINO Axial Face Milling Heads
- WASINO Radial Drilling-Milling Heads
- WASINO Side Cutting Heads

Collet

Live Center for Lathe

CNC Machines Accessories

Angular Head for CNC Machining Centers

Strong Chuck for Lathe

Vises

Coupling Types

Brands

ALL PRODUCTS

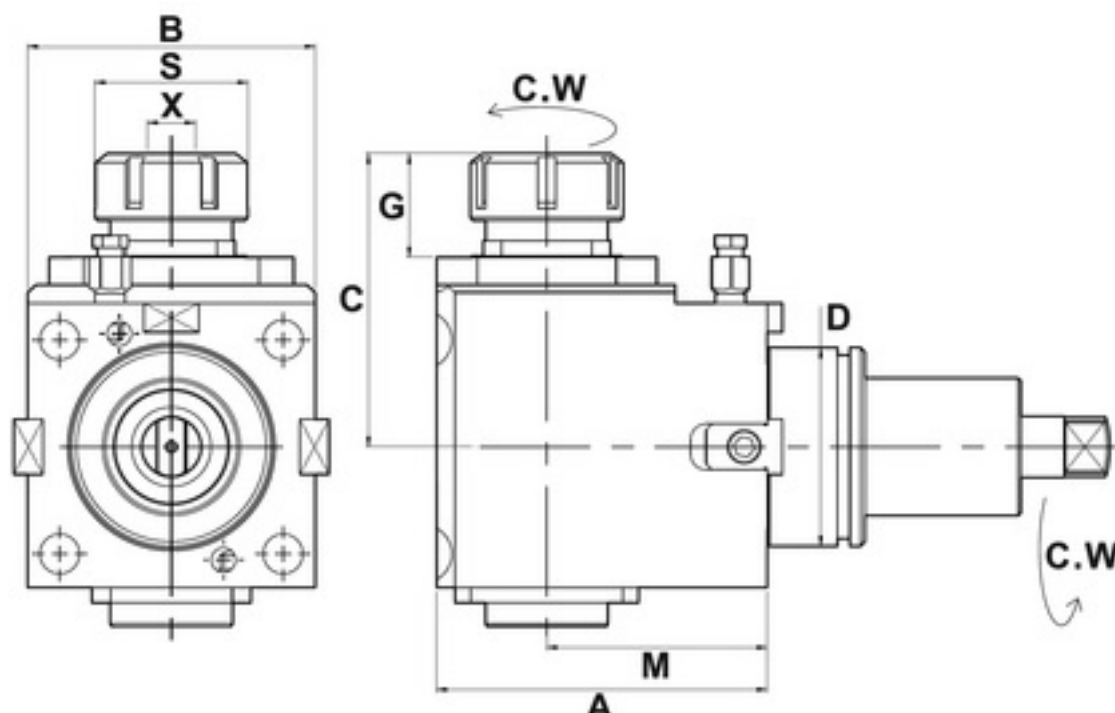


Figure L30000309: BMT Radial Drilling-Milling Head DW700-DF85-ER50-110

BMT Radial Drilling-Milling Head
DW700-DF85-ER50-110

\$ CAD **4,218⁰⁰**

Quantity:



- Customer-friendly
- Quality guaranteed
- Easy Returns

Gross weight, kg: 15



You can buy them securely via PayPal, we also accept Mastercard, Visa and American Express.



We ship via UPS: DAP (Delivered At Place).

BMT Radial Drilling-Milling Head DW700-DF85-ER50-110 Specification

Tool holder description	Related Products	Compatible Machines	Documents
--------------------------------	------------------	---------------------	-----------

Table L30000309: BMT Radial Drilling-Milling Head DW700-DF85-ER50-110

Tool Holder Turret Interface:

Turret: RADIAL
Tooling Interface: BMT-85
Power Coupling: DIN1809
Y Axis: N/S

Part No.	D	X Capacity	S	Maximum R.P.M.	A	B	C	G	M	BMT size
DW220-DF45-ER20-65	45	1~13 ER20	35	5000	95	75	77.5	30	65	BMT45
DW220-DF45-ER25-65		1~16 ER25	42		95	75	81	32	65	
DW230-DF55-ER25-60	55	1~16 ER25	42	5000	86	85	81	31	60	BMT55
DW230-DF55-ER25-70					97	85	83	31.5	70	
DW230-DF55-ER25-80					106.5	85	82	31	80	
DW230-DF55-ER25-85					111.5	85	82	31	85	
DW300-DF65-ER32-65	65	2~20 ER32	50	5000	101	94	97.5	35.5	65	BMT65
DW300-DF65-ER32-72					108	94	96	34	72	
DW300-DF65-ER32-85					121	94	96.5	34.5	85	
DW300-DF65-ER32-100					137	94	96.5	34.5	100	
DW300-DF65-ER32-115					152	94	99.5	33.5	115	
DW350-DF75-ER40-60	75	3~26 ER40	63	5000	105	112	110.5	44	60	BMT75
DW350-DF75-ER40-70					115	112	106.5	39	70	
DW350-DF75-ER40-90					135	112	106.5	39	90	
DW350-DF75-ER40-125					170	112	110.5	44	125	
DW700-DF85-ER50-110	85	10~34 ER50	78	5000	136	125	141.5	50.5	110	BMT85

For the detailed list of compatible machine models - please click the **Compatible Machines** tab

- To be used for collet DIN 6499
- External Coolant supply
- Collet is not included

L30000309

Alternative Name:



The information provided for reference purposes only. Although all possible efforts were made to make this information accurate, we can not guarantee that particular part will fit your application. Specifications can be changed without prior notice. All prices are for reference only and can be changed without prior notice. Not all models are available in all countries due to possible patents and other restrictions.

Customer Service

- Downloads & Catalogues
- Privacy Policy
- Warranty
- Return/Refund Policy
- Terms & Conditions
- Disclaimer
- FAQs
- Payment
- Shipping & Delivery Standards

Contact Info

- Contact Us
- Catalog Request
- Request Tool Holder Info
- Email to a friend

About IMTE

- Home
- About IMTE
- Careers
- New Tool Holders
- Stock

Marketing Information

- Trade Shows
- News
- Tool Encyclopedia
- Tool Holder Galleries
- Downloads & Catalogues
- YouTube channel

© 1999-2019, IMTE Inc.
Powered by Tool Holder Shop Inc.
Last build: 2019-02-19-1723-EN



INTERNATIONAL MACHINE TOOLS AND EQUIPMENT INC.
13 - 636 Edward Ave, Richmond Hill, ON, Canada, L4C 0V4
Tel.: 1-905-787-8888 Fax: 1-905-787-8801

+1 905 787 8888
imte@imte.ca

